

# KÄLTESCHELLEN

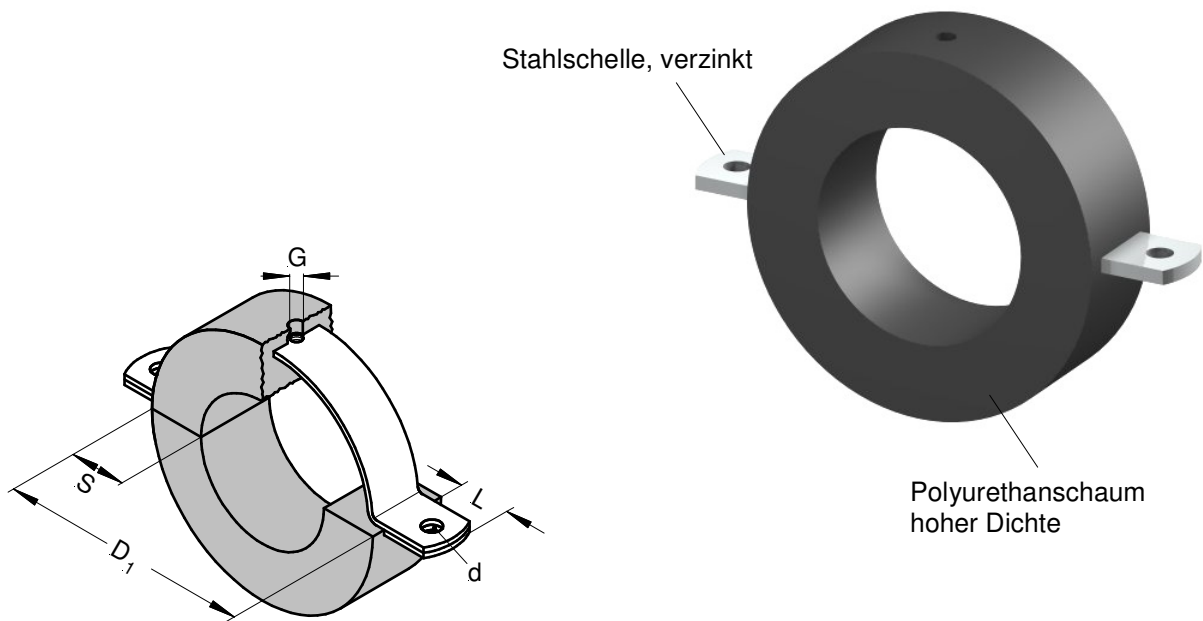
DBP P 2854924.8-12

Abmessungen



## ■ KÄLTETECHNIK

Typ **170**  
Form



Artikel Nummer	Rohr ø	D <sub>1</sub>	d	L	S	G
26003798	12,0	72	6,5	20	30	M8
26003799	15,0	75	6,5	20	30	M8
26003800	17,2	78	6,5	20	30	M8
26004969	18,0	78	6,5	20	30	M8
26003801	21,3	82	6,5	20	30	M8
26003802	22,0	82	6,5	20	30	M8
26003803	26,9	87	6,5	20	30	M8
26003804	28,0	88	6,5	20	30	M8
26003805	33,7	94	6,5	20	30	M8
26003806	35,0	95	6,5	20	30	M8
26003807	42,4	102	6,5	20	30	M8
26003808	48,3	108	6,5	20	30	M8
26003809	51,0	111	6,5	20	30	M8
26003810	54,0	114	6,5	20	30	M8
26003811	57,0	117	6,5	20	30	M8
26003812	60,3	120	11,0	30	30	M10
26003813	63,0	123	11,0	30	30	M10
26003814	64,0	124	11,0	30	30	M10
26003815	70,0	130	11,0	30	30	M10
26003816	76,1	136	11,0	30	30	M10

Artikel Nummer	Rohr ø	D <sub>1</sub>	d	L	S	G
26003817	88,9	150	11,0	30	30	M10
26003818	108,0	194	14,0	40	40	M10
26003819	114,3	194	14,0	40	40	M10
26003820	133,0	213	14,0	40	40	M10
26003821	139,7	220	14,0	40	40	M10
26003822	159,0	239	14,0	40	40	M12
26003823	168,3	248	14,0	40	40	M12
26003824	193,7	314	18,0	55	60	M16
26003825	219,1	339	18,0	55	60	M16
26003826	267,0	387	18,0	55	60	M16
26003827	273,0	393	18,0	55	60	M16
26003828	323,9	444	23,0	60	60	M20
26003829	355,6	476	23,0	60	60	M20
26003830	406,4	526	23,0	65	60	M24
26003831	457,2	577	23,0	65	60	M24
26003832	508,0	628	23,0	65	60	M24
26003833	521,0	641	23,0	65	60	M24
26003834	558,0	678	23,0	65	60	M24
26003835	610,0	730	23,0	68	60	M24
26003836	711,0	841	23,0	68	65	M24
26011772	813,0	943	23,0	68	65	M24

Alle Maße in mm